

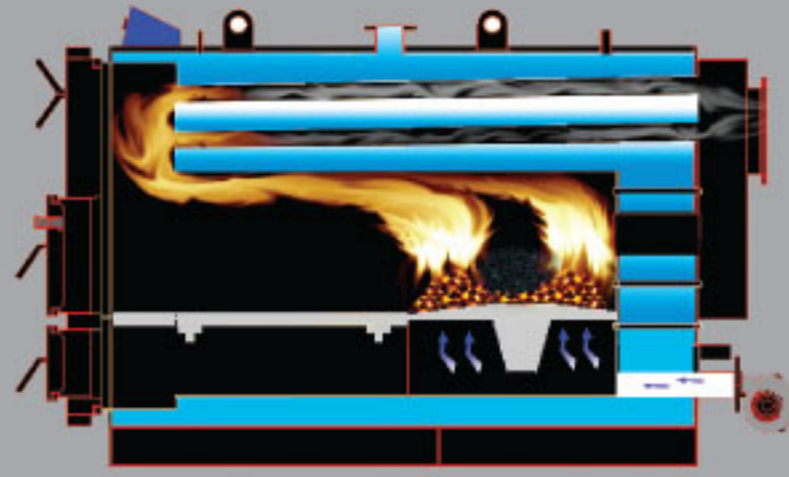


➤ **Central Heating
Automatic Loading
Solid Fuel Boiler**

- Electronic & Automatic heat control
- Modification to burn natural gas
- High efficiency

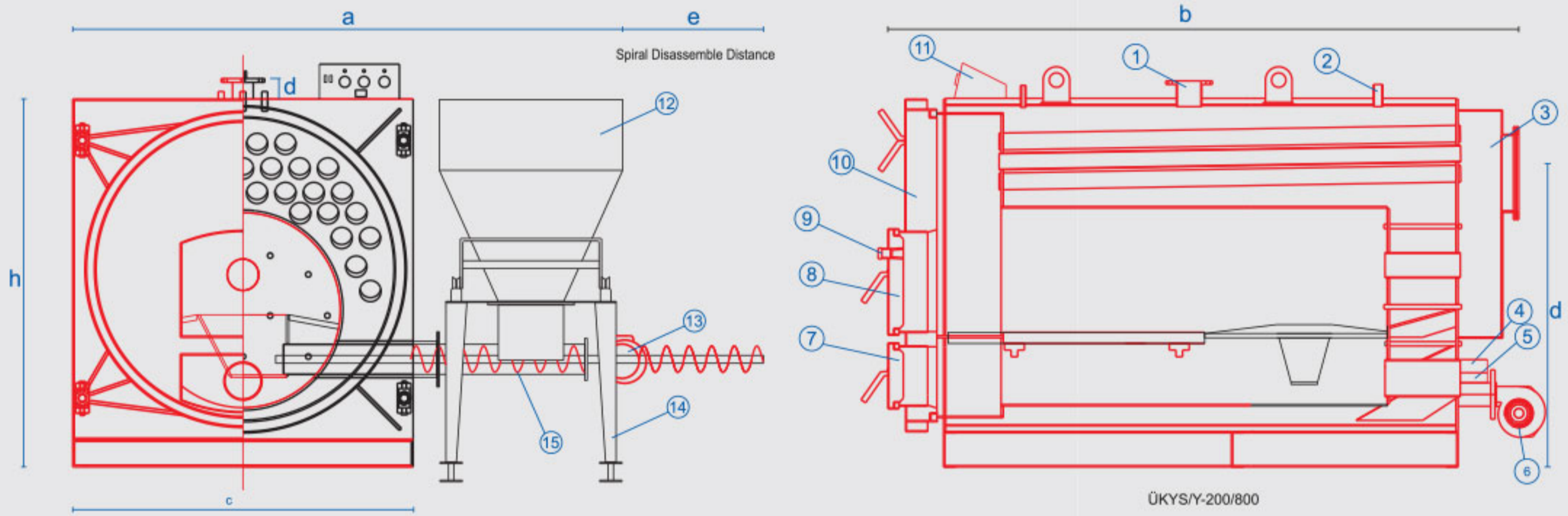
“Feel the heat...”





ÜKYS/Y series Central Heating Automatic Loading Solid Fuel Boiler

ÜNMAK ÜKYS/Y series automatic loading solid fuel boilers are designed to burn coal, prina and nutshells with diameters up to 25mm. The boilers have different capacities and can modify to burn liquid fuel and gas. Additionally the structure of the boilers let user load wood and coal manually. Boilers are user friendly and provide comfortable heating.



- 1- Boiler outlet
- 2- Safety outlet
- 3- Chimney
- 4- Boiler inlet

- 5- Safety inlet
- 6- Fan
- 7- Ash discharge cover
- 8- Fuel entry cover

- 9- Observing glass
- 10- Flue pipes cleaning cover
- 11- Control board
- 12- Bunker

- 13- Reducer
- 14- Table
- 15- Spiral

TECHNICAL SPECIFICATION

MODEL- SERIES	ÜKYS/Y	200	225	250	300	350	400	450	500	600	700	800
Fuel Type		Coal- Prina- Pellet- Nutshells etc.										
Heat Output	kW	233	262	291	349	407	465	523	582	698	814	930
	kcal/h	200.000	225.000	250.000	300.000	350.000	400.000	450.000	500.000	600.000	700.000	800.000
Burning Chamber Dimensions	mm	430*410					770*680	820*710	820*780	850*880	950*900	1000*960
Fuel Capacity	Coal	300			350			450				
	Prina	255			298			383				
Water Volume	lt	900	1000	1050	1260	1440	1880	1990	2050	2560	3090	3300
Boiler Weight	kg	2000	2200	2310	2590	2900	3170	3650	3820	4525	5300	5820
Required Draft	mbar	0,44- 0,47			0,46- 0,49			0,48- 0,52			0,51- 0,54	
Temperature Control Range	°C	45- 85										
Water Return Temperature (Recommended)	°C	35										
Maximum Operation Pressure	bar	4										
Test Pressure	bar	6										
Dimensions	Boiler Total Widht (a)	mm	2050	2150	2200	2300	2350	2500	2700	2730		
	Leght (b)	mm	2210		2650		3025	3090	3360	3400	3550	
	Body widht (c)	mm	1250	1350	1400	1500	1550	1700	1900	1930		
	Chimney Connection height (d)	mm	1015	1115	1165	1265	1315	1465	1665	1695		
	Spiral Disassemble distance(e)	mm	1350	1450	1500	1600	1650	1800	2000	2030		
	Boiler Total Height (h)	mm	1530	1630	1680	1780	1830	1980	2180	2210		
Exhaust Gas Connection Diameter	mm	300					350			400		
Min-Max Flue Temperature	°C	170- 210										
Boiler Outlet Inlet	R"	DN 65	DN 80			DN 100			DN 125			
Expansion Boiler Outlet	R"	1 1/4"		1 1/2"		2"			2 1/2"			
Filling - Discharge	R"	3/4"										
Electrical Connection	V/Hz	400 V- 50 Hz										

The right to make changes in dimension is reserved.

+90 444 35 32

www.unmak.com • export@unmak.com
Org. San. Bölğ. 8 Eylül Mah. Öteyaka Mevkii Anızcıca Yolu üzeri No:51 • Fax: +90 232 469 24 12 Kemalpaşa / İZMİR

ÜNLÜSOY
Sanayi ve Tic. Ltd. Şti.