



➤ Central Heating Pellet Boiler

- Automatic feeding
- Automatic Ignition
- Digital Control Board
- High Efficiency
- Three Passage
- Flue gas temperature
- Room Thermostat option
- Fuel level sensor

ÜKYP / YP 300 - 600



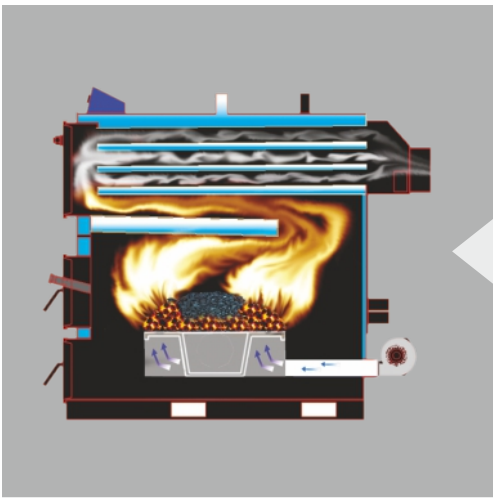
ÜKYP / YP 130 - 250



"Feel the heat..."

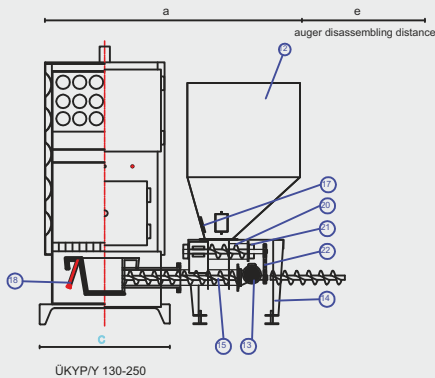


CE

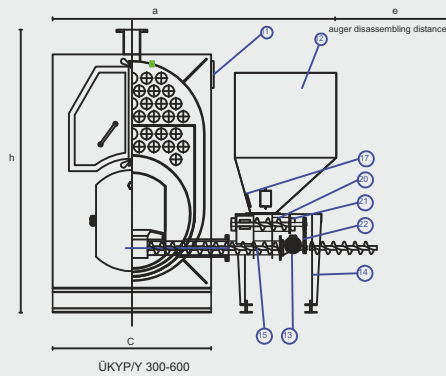


ÜKYP/YP series Central Heating Pellet Boiler

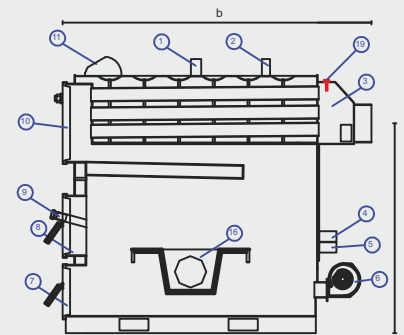
ÜNMAK UKYP/YP series central heating pellet boilers provide high efficient heating using renewable energy. Advanced systems of the boiler controls fuel feeding, ignition and safety operating of the pellet boiler. Room thermostat provide remote temperature selection and high volume hopper provide longer burning without refueling.



- 1-Hot Water Outlet
- 2-Safety Outlet
- 3-Flue
- 4-Hot Water Inlet
- 5-Safety Inlet
- 6-Fan and flap



- 7-Ash discharge Door
- 8-Fuel Entry Door
- 9-Flame inspection hole
- 10-Flue Pipes /Cleaning Door
- 11-Control Board
- 12-hopper



- 13-Gear box
- 14-Table
- 15-Auger
- 16-Pot
- 17-Fuel Level Sensor
- 18-Igniter
- 19-Flue Sensor
- 20-Transfer auger
- 21-Ball Bearing
- 22-Chain

TECHNICAL SPECIFICATIONS

MODEL - SERİ	UKYP/YP	130	160	180	200	250	300	350	400	500	600
FUEL TYPE		Wood Pellet									
HEATING CAPACITY	kW	130	160	180	200	250	300	350	400	500	600
EFFICIENCY	%	88-90	88-90	88-90	88-90	88-90	88-90	88-90	88-90	88-90	88-90
CONSUMPTION	kg/h	27-46	34-55	38-58	42-64	53-77	64-82	75-97	85-106	102-116	128-142
BURNING POT DIMENSIONS	mm	Ø 470	Ø 470	Ø 470	Ø 470	Ø 470	600X600	600X600	600X600	600X600	600X600
FUEL CAPACITY	kg	180	180	180	180	180	255	255	255	255	255
WATER VOLUME	lt	320	400	480	560	640	890	925	1240	1505	1570
BOILER WEIGHT	kg	805	920	1080	1155	1300	1755	1900	2130	2505	2750
REQUIRED FLUE DRAFT	mbar	0,42 - 0,45	0,42 - 0,45	0,44 - 0,47	0,44 - 0,47	0,45 - 0,49	0,47 - 0,51	0,49 - 0,52	0,49 - 0,52	0,50 - 0,53	0,50 - 0,53
MIN.MAX. TEMPERATURE CONTROL	°C	40-80	40-80	40-80	40-80	40-80	40-80	40-80	40-80	40-80	40-80
(REQUIRED) INSTALLATION RETURN TEMP.	°C	40	40	40	40	40	40	40	40	40	40
MAX.WORKING PRESSURE	bar	3	3	3	3	3	4	4	4	4	4
TEST PRESSURE	bar	5	5	5	5	5	6	6	6	6	6
DIMENSIONS	BOILER TOTAL WIDTH (a)	mm	1460	1460	1560	1560	1660	1940	1990	2200	2200
	LENGHT (b)	mm	1615	1815	1815	1915	1915	2280	2400	2400	2750
	BODY WIDTH (c)	mm	760	860	860	960	960	1130	1180	1390	1390
	FLUE CONNECTION HEIGHT (d)	mm	1615	1815	1815	1915	1915	1465	1600	1665	1665
	SCREW DEMOUNTING INTERVAL	mm	1100	1100	1100	1100	1100	1200	1250	1300	1300
	TOTAL BOILER HEIGHT (h)	mm	1640	1640	1640	1640	1640	2000	2055	2095	2125
EXHAUST CONNECTION DIAMETER (FLUE)	mm	220	220	220	220	220	300	300	300	300	350
MIN-MAX FLUE TEMPERATURE	°C	170 - 210	170 - 210	170 - 210	170 - 210	170 - 210	170 - 210	170 - 210	170 - 210	170 - 210	170 - 210
BOILER OUTLET-INLET	R"	2"	2"	2"	2"	2 1/2"	DN 80	DN100	DN100	DN 100	DN125
EXPANSION TANK OUTLET-INLET	R"	1 1/2"	1 1/2"	1 1/2"	1 1/2"	1 1/2"	1 1/2"	2"	2"	2"	2"
CHARGE-DISCHARGE	R"	3/4"	3/4"	3/4"	3/4"	3/4"	3/4"	3/4"	3/4"	3/4"	3/4"
ELECTRICAL CONNECTION	V/Hz	220 V - 50 Hz	220 V - 50 Hz	220 V - 50 Hz	220 V - 50 Hz	220 V - 50 Hz	220 V - 50 Hz	220 V - 50 Hz	220 V - 50 Hz	220 V - 50 Hz	220 V - 50 Hz