



## ➤ Automatic Loading Prismatic Solid Fuel Boiler

- Electronic & Automatic Heat Control
- Central System
- Three Pass
- High Efficiency
- Economical

ÜKYP / Y 300 - 600



ÜKYP / Y 130 - 250



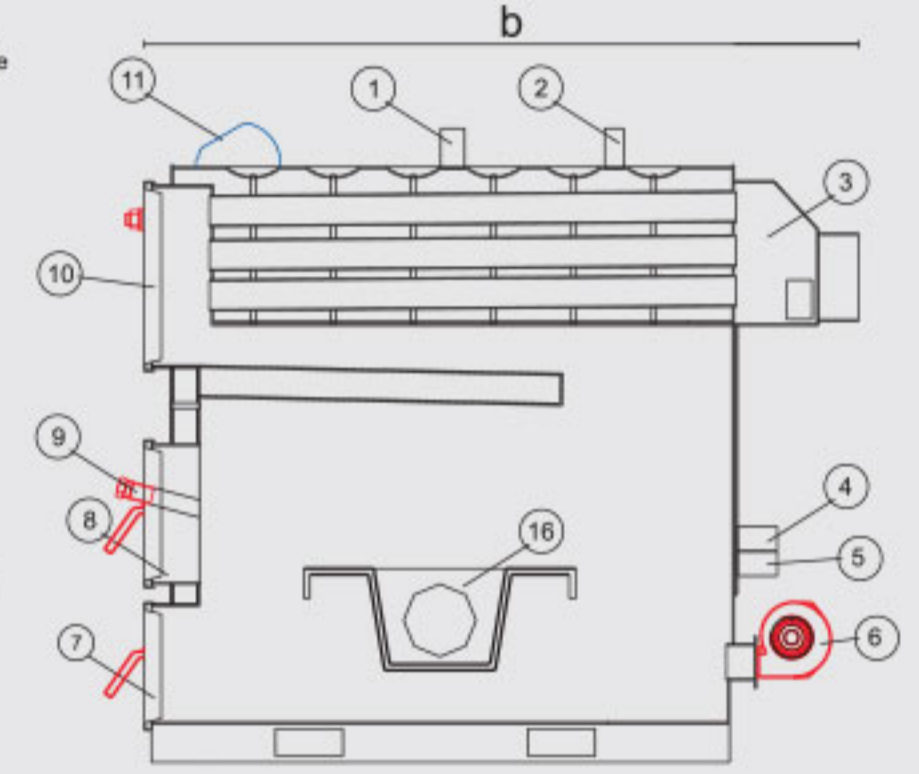
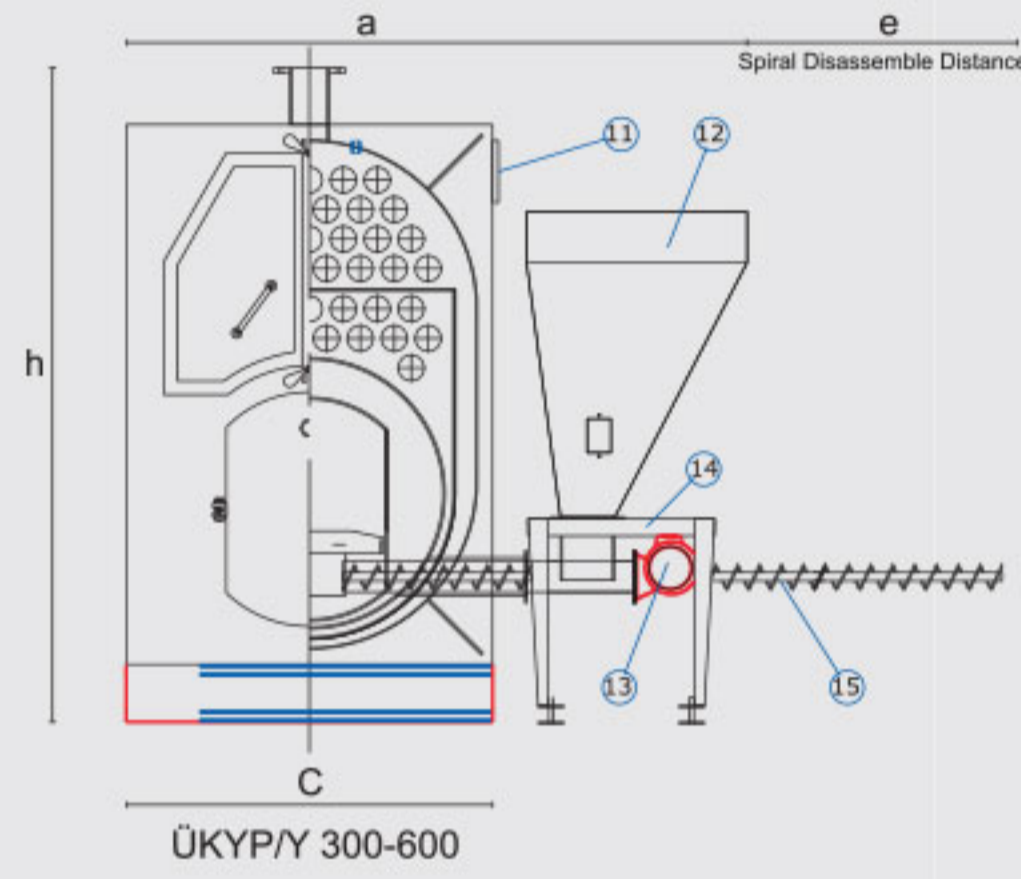
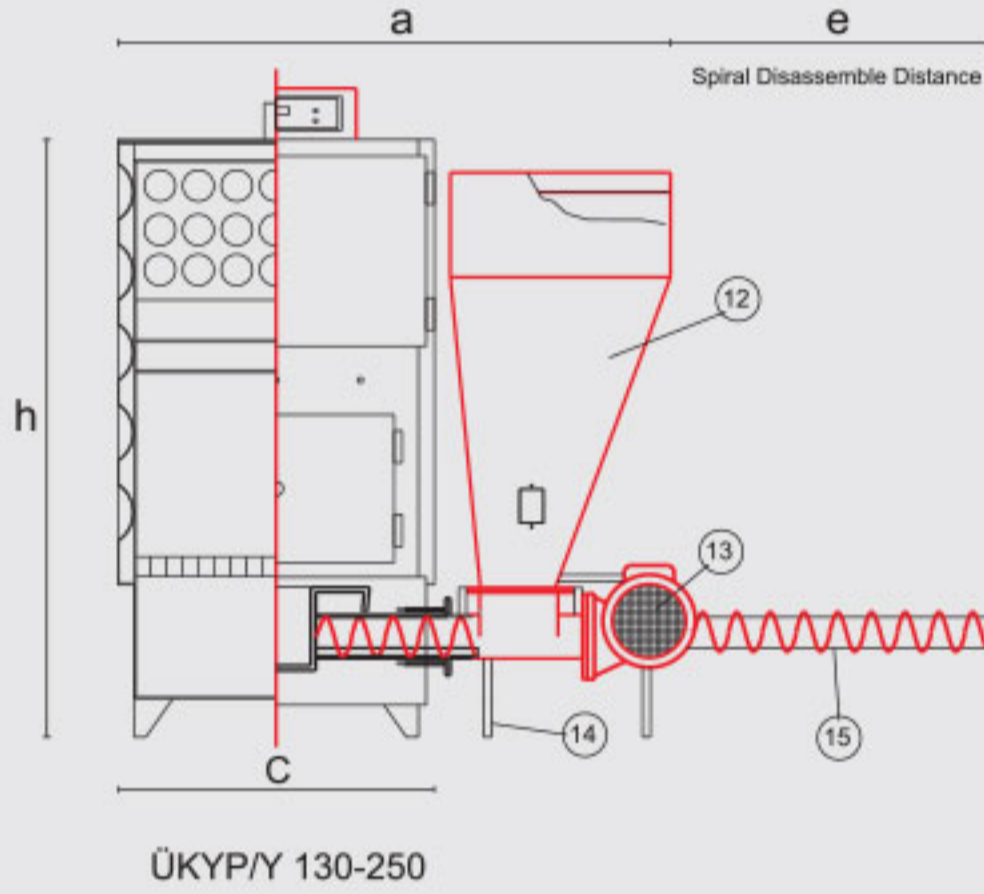
*“Feel the heat...”*





## ÜKYP/Y series Automatic Loading Prismatic Solid Fuel Boiler

ÜNMAK ÜKYP/Y series prismatic automatic solid fuel boilers are designed to burn coal, prina and nutshells with diameters up to 25mm. They have eleven different capacities. Boilers are user friendly and provide comfortable heating.



- 1- Boiler outlet
- 2- Safety outlet
- 3- Chimney
- 4- Boiler inlet

- 5- Safety inlet
- 6- Fan and fan flap
- 7- Ash discharge cover
- 8- Fuel entry cover

- 9- Observing glass
- 10- Flue pipes cleaning cover
- 11- Control board
- 12- Bunker and desk

- 13- Reducer
- 14- Desk
- 15- Spiral
- 16- Pot

### TECHNICAL SPECIFICATIONS

| MODEL- SERİ                               | ÜKYP/Y                         | 130                              | 160        | 180     | 200        | 250     | 300          | 350     | 400     | 450        | 500     | 600     |  |
|---|--------------------------------|----------------------------------|------------|---------|------------|---------|--------------|---------|---------|------------|---------|---------|--|
| Fuel Type                                 |                                | Coal- Prina- Pellet- Shell- Nuts |            |         |            |         |              |         |         |            |         |         |  |
| Heat Output                               | kW                             | 151                              | 186        | 209     | 233        | 291     | 349          | 407     | 465     | 523        | 582     | 698     |  |
|   | kcal/h                         | 130.000                          | 160.000    | 180.000 | 200.000    | 250.000 | 300.000      | 350.000 | 400.000 | 450.000    | 500.000 | 600.000 |  |
| Pot Dimensions                            | mm                             | 430x410                          |            |         |            |         |              | 600x600 |         |            |         |         |  |
| Fuel Capacity                             | Coal                           | 220                              |            |         |            |         | 300          |         |         |            |         | 350     |  |
|   | Prina                          | 185                              |            |         |            |         | 255          |         |         |            |         | 297     |  |
| Water Volume                              | lt                             | 320                              | 400        | 480     | 560        | 640     | 890          | 925     | 1240    | 1195       | 1505    | 1570    |  |
| Boiler Weight                             | kg                             | 805                              | 920        | 1080    | 1155       | 1300    | 1755         | 1900    | 2130    | 2200       | 2505    | 2750    |  |
| Required Draft                            | mbar                           | 0,42- 0,45                       | 0,44- 0,47 |         | 0,45- 0,49 |         | 0,47- 0,51   |         |         | 0,50- 0,53 |         |         |  |
| Operating Temperature                     | °C                             | 45-85                            |            |         |            |         |              |         |         |            |         |         |  |
| Water Return Temperature (Recommended)    | °C                             | 35                               |            |         |            |         |              |         |         |            |         |         |  |
| Maximum Operating Pressure                | bar                            | 3                                |            |         |            |         | 4            |         |         |            |         |         |  |
| Test Pressure                             | bar                            | 5                                |            |         |            |         | 6            |         |         |            |         |         |  |
| Dimensions                                | Total Boiler Width (a)         | mm                               | 1460       | 1560    |            | 1660    | 1940         | 1990    | 2200    |            |         |         |  |
|   | Lenght (b)                     | mm                               | 1615       | 1815    |            | 1915    | 2280         | 2400    |         |            | 2750    |         |  |
|   | Body Width (c)                 | mm                               | 760        | 860     |            | 960     | 1130         | 1180    | 1390    |            |         |         |  |
|   | Chimney Connection Height(d)   | mm                               | 1615       | 1815    |            | 1915    | 1465         | 1600    | 1665    |            |         | 1675    |  |
|   | Spiral Disassemble Distance(e) | mm                               | 1100       |         |            |         | 1200         |         |         | 1300       |         |         |  |
|   | Boiler Total Height (h)        | mm                               | 1640       |         |            | 2000    | 2055         | 2095    |         | 2125       |         |         |  |
| Exhaust Gas Connection Diameter (Chimney) | mm                             | 220                              |            |         |            |         | 300          |         |         |            |         | 350     |  |
| Min-Max Flue Temperature                  | °C                             | 170-210                          |            |         |            |         |              |         |         |            |         |         |  |
| Boiler Outlet- Inlet                      | R"                             | 2"                               |            |         |            | 2 ½"    | DN80         |         |         | DN100      |         | DN125   |  |
| Expansion Tank Outlet- Inlet              | R"                             | 1 ½"                             |            |         |            |         |              | 2"      |         |            |         |         |  |
| Filling- Discharge                        | R"                             | 1/2"                             |            |         |            |         | 3/4"         |         |         |            |         |         |  |
| Electrical Connection                     | V/Hz                           | 230 V- 50 Hz                     |            |         |            |         | 380 V- 50 Hz |         |         |            |         |         |  |

The right to make changes in dimension is reserved.

+90 444 35 32

www.unmak.com • export@unmak.com  
Org. San. Bölğ. 8 Eylül Mah. Öteyaka Mevkii Anızcıca Yolu üzeri No:51 • Fax: +90 232 469 24 12 Kemalpaşa / İZMİR

ÜNLÜSOY  
Sanayi ve Tic. Ltd. Şti.